

Low-Profile Vent Closure for Kitchen & Bath Venting

Premium 6" Wall Vent

Lasting Beauty



The low-profile aesthetic of the 6" Wall Vent helps keep home exteriors beautiful. It is designed to support kitchen and bath systems with six inch diameter duct.

Galvalume® steel that is also powder coated ensures a long duty life, clearly outpacing plastics and light-weight metal hoods.

Model 6WVW

Available in White (shown), Tan, Brown, and Black
Custom RAL Match Colors Available for Large Projects.

Uniform, Sleek Exterior Aesthetics

Model 6WV is designed to accent or blend in to any home's exterior. It's clean, low-profile lines help to enhance exterior beauty. Manufactured to the exacting specifications of the DryerWallVent, it keeps a consistent look for the entire home.

Durability & Performance

The heavy gauge Galvalume and powder coated steel body stands the test of time. Unlike plastics, or lightweight metal, the 6WV Series is engineered to provide long-lasting performance.

Ease of Installation

Choose this vent for a quick, perfect fit in both retrofit and new construction 6" duct exhaust systems.



6WVW Shown

INOVATE

888-443-7937

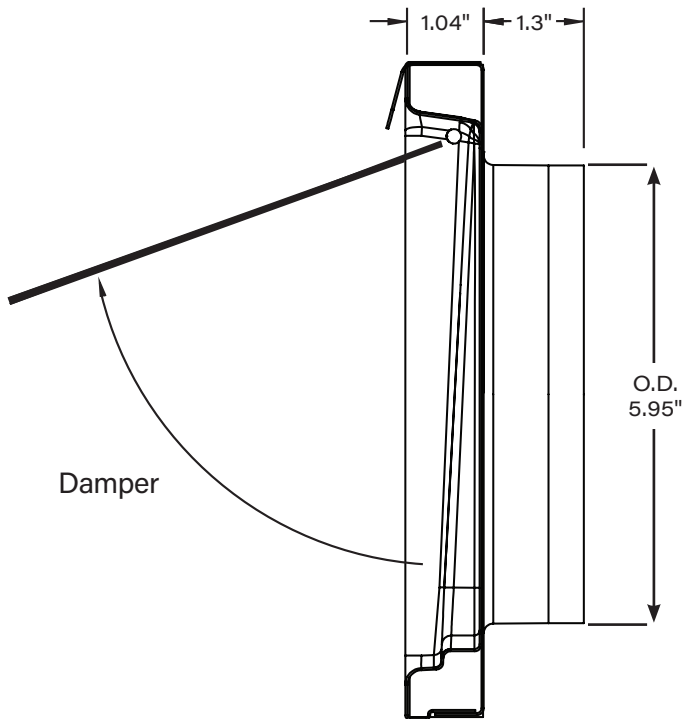
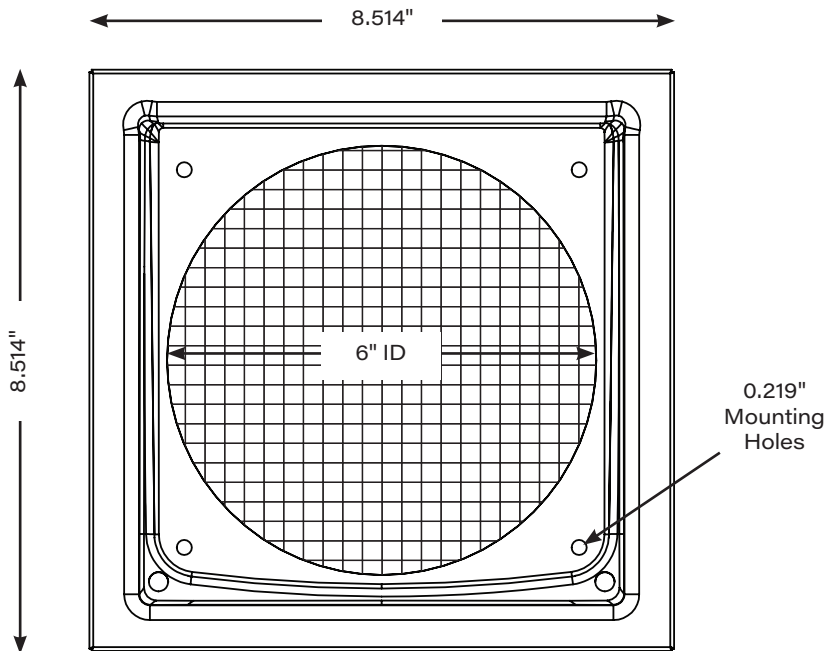
*The Dryerbox®
People*

PremiumWallVent.com

250 South Central Boulevard • Suite 207 • Jupiter FL 33458-8812 • Fax: 561-745-9723

Premium 6" Wall Vent

Technical Product Specifications



Model Number	Color
6WVW	White
6WVT	Tan
6WVB	Brown
6WVK	Black

Performance Data

Product Use:

Venting exhaust systems through exterior walls for applications such as kitchen & bath systems.

Note: If used for dryer venting, the screen must be removed to meet standard code requirements.

Materials:

- 26 Gauge Galvalume® Steel Housing
- 30 Gauge Galvalume® Steel Damper
- Polyester TGIC Powder Coating
- Removable Galvanized .025" Dia. Wire Screen

General Information

Benefits:

- Improves Aesthetics with Flush Installation
- Installs Easily in New and Existing Construction
- Stands the Test of Time with Durable Materials
- Simplifies Duct Cleaning with Easy Accessibility
- Maximizes Airflow Efficiency
- Maintains consistent look when used in concert with the Dryer Wall Vent.

Features:

- Galvanized & Powder Coated Steel Construction
- Lightweight Damper and Heavier Frame
- Damper Opens Freely to 130°
- Four Built-in Mounting Holes

Manufactured By

InOvate Technologies, Inc.
 250 S. Central Blvd. Suite 207
 Jupiter, FL 33458
 Phone: (888) 443-7937
 Fax: (561) 745-9723
<https://premiumwallvent.com>



Made in the USA